



# **Sonicator**

## **ULTRASONIC PROCESSOR**

Part No. Q2000

## **OPERATION MANUAL**



53 Church Hill Road, Newtown, CT 06470  
Phone: 203.426.0101 · 1.877.338.9636  
Fax: 203.426.7026  
[www.sonicator.com](http://www.sonicator.com) | [info@sonicator.com](mailto:info@sonicator.com)

**HIGH INTENSITY ULTRASONIC PROCESSOR**  
**MICROPROCESSOR CONTROLLED**  
**2000 Watt Model**

**TABLE OF CONTENTS**

Warranty .....	3
Important Safeguards .....	4
Low Surface Tension Liquids - Organic Solvents .....	4
 <b>SECTION I – INSTALLATION</b>	
Inspection .....	5
Electrical Requirements .....	5
Installing the Ultrasonic Processor .....	5
 <b>SECTION II – OPERATION</b>	
Principles of Ultrasonic Disruption .....	8
Functions of Controls, Indications, and Connectors .....	9
Preparations for Use .....	11
Using the Ultrasonic Processor .....	12
 <b>SECTION III – SERVICE INFORMATION</b>	
Return of Equipment .....	21

The Ultrasonic Processor supplied with this instruction manual is constructed of the finest material and the workmanship meets the highest standards. It has been thoroughly tested and inspected before leaving the factory and when used in accordance with the procedures outlined in this manual, will provide you with many years of safe and dependable service.

Rev. 3-18

# WARRANTY

Your Ultrasonic Processor is warranted for a period of two years from the date of shipment against defects in material and workmanship under normal use as described in this instruction manual. During the warranty period, the manufacturer will, at its option, as the exclusive remedy, either repair or replace without charge for material and labor, the part(s) which prove to be defective, provided the unit is returned to us properly packed with all transportation charges prepaid.

Wear resulting from cavitation erosion is a normal consequence of ultrasonic processing and is not covered by this warranty.

This warranty is in lieu of any other warranties, either express, implied, or statutory. The manufacturer neither assumes nor authorizes any person to assume for it any other obligations or liability in connection with the sale of its products. The manufacturer hereby disclaims any warranty of either merchantability or fitness for a particular purpose. No person or company is authorized to change, modify, or amend the terms of this warranty in any manner whatsoever. Under no circumstances shall the manufacturer be liable to the purchaser or any other person for any incidental or consequential damages or loss of goodwill, production, or profit resulting from any malfunction or failure of its product.

This warranty does not apply to equipment that has been subject to unauthorized repair, misuse, abuse, negligence or accident. Equipment which, shows evidence of having been used in violation of operating instructions, or which has had the serial number altered or removed, will be ineligible for service under this warranty.

All probes are manufactured to exacting specifications and are tuned to vibrate at a specific frequency. Using an out-of-tune probe will cause damage to the equipment and may result in warranty nullification. The manufacturer assumes no responsibility for probes fabricated by another party or for consequential damages resulting from their usage.

The aforementioned provisions do not extend the original warranty period of any product that has either been repaired or replaced by the manufacturer.

# **IMPORTANT SAFEGUARDS**

## **READ BEFORE INSTALLING OR USING THE EQUIPMENT**

Your Ultrasonic Processor has been designed with safety in mind. However, no design can completely protect against improper usage, which may result in bodily injury and/or property damage. For your protection and equipment safeguard, observe the following warnings at all times, read the operating instructions carefully before operating the equipment, and retain this instruction manual for future reference. If the Ultrasonic Processor is used in a manner contrary to that specified in this instruction manual, the protection features designed into the unit may be impaired.

- Make sure the Ultrasonic Processor is properly grounded via a 3-prong outlet.
- High voltage is present in the power supply. **DO NOT REMOVE THE COVER.** Refer all servicing to qualified service personnel.
- To avoid electric shock, disconnect the electrical power cord before removing the cover prior to servicing.
- Never operate the power supply unless it is connected to the converter.
- Never secure anything to the probe, except at the nodal point (point of no activity).
- Never touch a vibrating probe.
- Air-cool the converter with 10psi, dry compressed air.
- It is recommended that a sound abating enclosure or ear protection be used when operating the Ultrasonic Processor.



**WARNING OR CAUTION**  
Where you see this alert symbol and  
WARNING or CAUTION heading, strictly  
follow the warning instructions to avoid  
personal injury or equipment failure.



## SECTION 1 – INSTALLATION

---

### INSPECTION

Prior to installing the Ultrasonic Processor, perform a visual inspection to detect any evidence of damage, which might have occurred during shipment. Before disposing of any packaging material, check it carefully for small items.

The equipment was thoroughly inspected and carefully packed before leaving our factory. The carrier, upon acceptance of the shipment, assumed responsibility for its safe delivery. Claims for loss or damage sustained in transit must be submitted to the carrier.

If damage has occurred, contact your carrier within 48 hours of the delivery date. **DO NOT OPERATE DAMAGED EQUIPMENT.** Retain all packing materials for future shipment.

### ELECTRICAL REQUIREMENTS

The Ultrasonic Processor requires a fused, single phase 3-terminal grounding type electrical outlet capable of supplying **50/60 Hz at 220 volts, or 240 volts at 20 amps.**



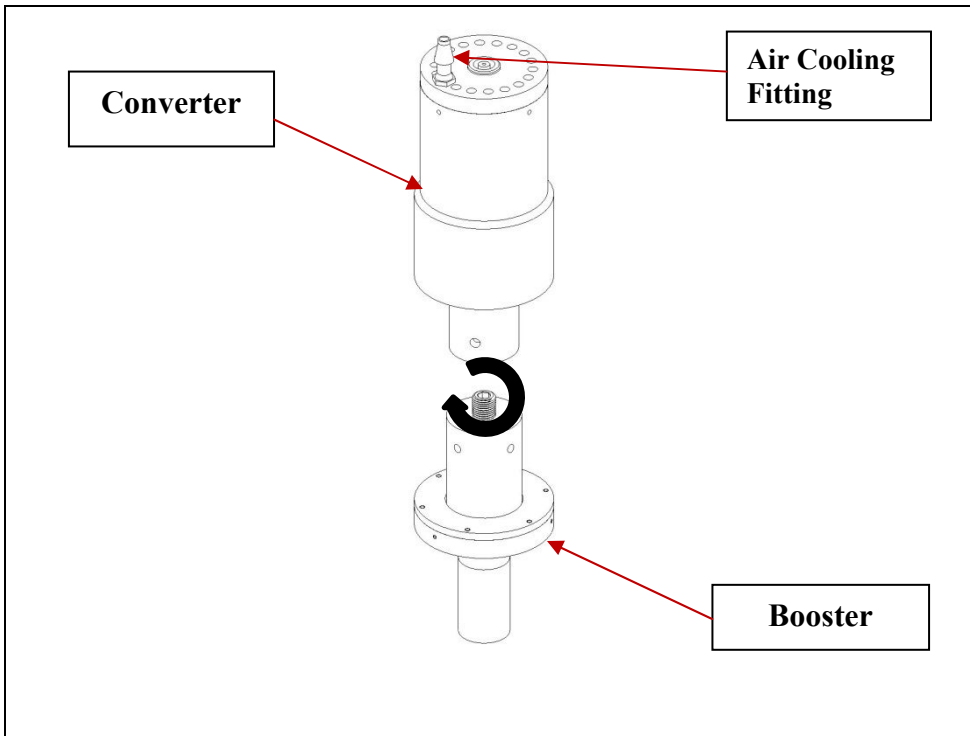
#### WARNING

For your personal safety, do not, under any circumstances, defeat the grounding feature of the power cord by removing the grounding prong.

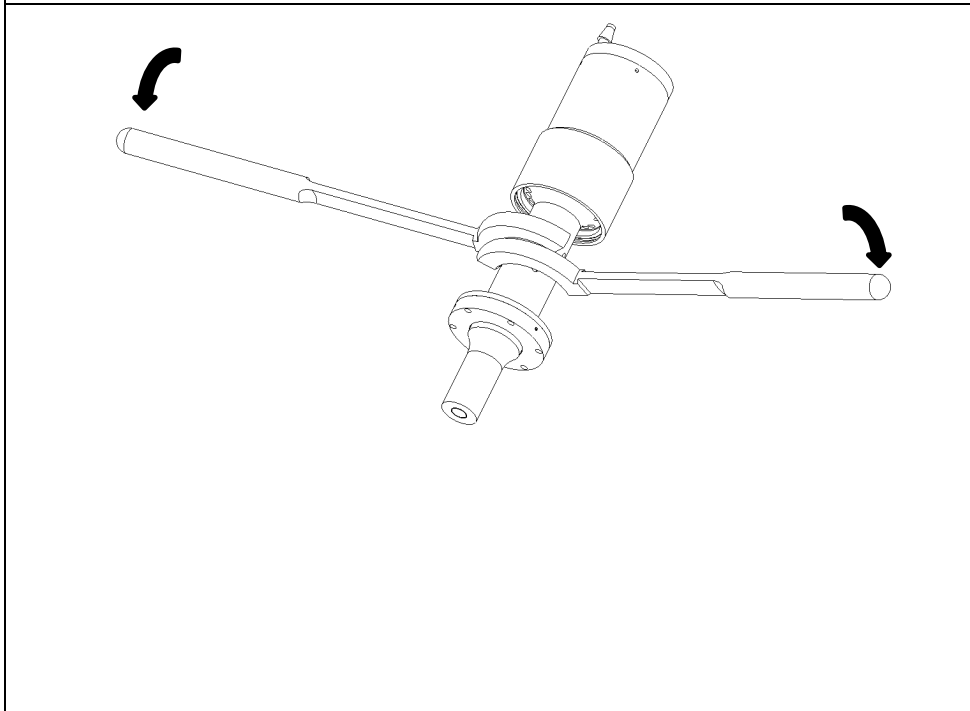


### INSTALLING THE ULTRASONIC PROCESSOR

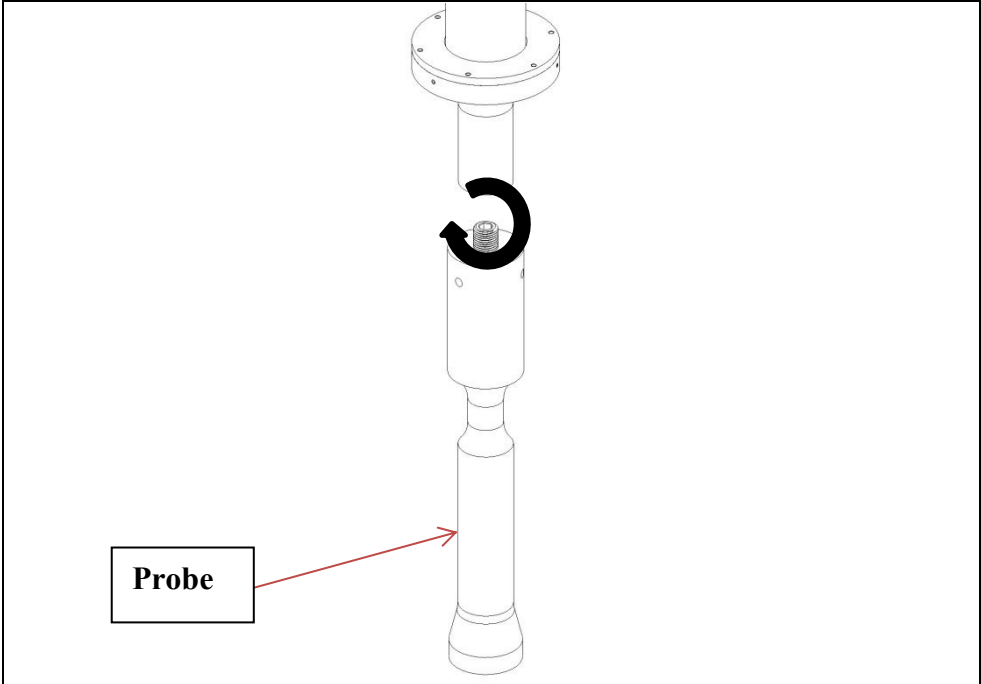
The Ultrasonic Processor should be installed in an area that is free from excessive dust, dirt, explosive and corrosive fumes, and extremes of temperature and humidity.



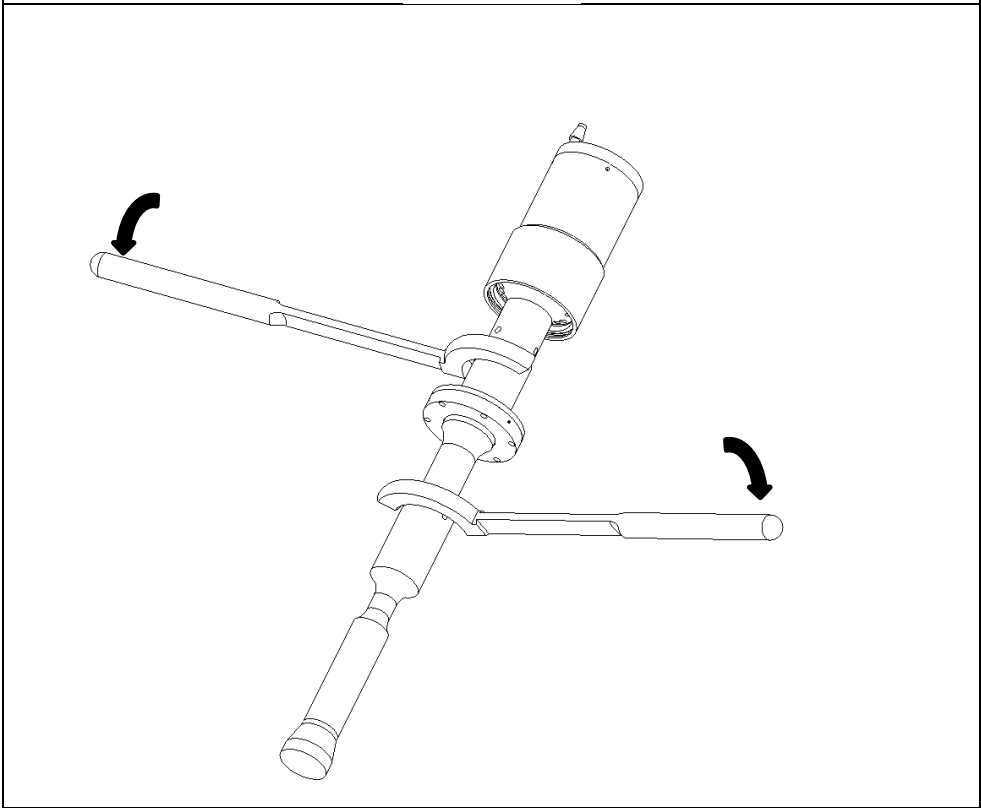
1. Screw the converter to booster by hand.



2. Use spanner wrenches to tightly Attach the converter to the booster.



3. Screw the booster to the horn by hand.



4. Use spanner wrenches to tightly attach horn to booster.

## **SECTION II – OPERATION**

---




### **PRINCIPLES OF ULTRASONIC DISRUPTION**

The ultrasonic power supply converts 50/60 Hz line voltage to high frequency electrical energy. This high frequency electrical energy is transmitted to the piezoelectric transducer within the converter, where it is changed to mechanical vibrations. The vibrations from the converter are intensified by the probe, creating pressure waves in the liquid. This action forms millions of microscopic bubbles (cavities) which expand during the negative pressure excursion, and implode violently during the positive excursion. This phenomenon, referred to as cavitation, creates millions of shock waves in the liquid, as well as elevated pressures and temperatures at the implosion sites. Although the cavitation collapse lasts but a few microseconds and the amount of energy released by each individual bubble is minimal, the cumulative effect causes extremely high levels of energy to be released into the liquid.



## FUNCTIONS OF KEYS, CONTROLS, INDICATORS AND CONNECTORS

<b>FRONT PANEL</b>	
<b>SCREEN</b>	<p>Displays prompts and the following control parameters:</p> <ul style="list-style-type: none"> <li>• Amplitude selected</li> <li>• Output power delivered to the probe in watts and as percentage of the total power</li> <li>• Selected duration of processing</li> <li>• Actual processing time</li> <li>• Elapsed time</li> <li>• Set and read temperature</li> <li>• Pulse duration</li> <li>• Amount of energy (Joules) delivered to probe.</li> </ul>
<b>0-9 key</b>	Input digits.
<b>CLEAR key</b>	Clears preceding entry.
<b>ENTER/REVIEW key</b>	Enters data into the program, and selects various parameters for display on the LCD screen.
<b>TIMER key</b>	Used to set the duration of ultrasonic application – from 1 second to 9 hours, 59 minutes, 59 seconds.
<b>TEMP key</b>	Used with the numeric keys to set the high temperature limit – from 1°C to 99°C. Red indicator lights when the temperature limit has been reached.
<b>PULSER key</b>	Used with the numeric keys to set the pulse mode. The ON cycle and OFF cycle can be set independently from 1 second to 59 seconds. Red indicator lights when pulser is in the OFF portion of the cycle.
<b>ENERGY key</b>	Used to set the Energy Setpoint
<b>START/STOP key</b>	Starts or stops the ultrasonics. Red light indicates sonication.
<b>PAUSE key</b>	Suspends operation. Red light indicates Pause mode.
<b>SAVE/RECALL key</b>	Used with the numeric keys to assign a number to a program and store it in memory. Up to 9 programs (1-9) can be stored. Also used to recall any of 9 stored programs.
<b>AMPL key</b>	Controls the amplitude (intensity) of vibration at the tip of the probe.
<b>  key</b>	Switches the main power ON.
<b>○ key</b>	Switches the main power OFF.

 key	<p>Used with the <b>AMPL</b> key to increase/decrease amplitude.  To accomplish this task, depress the <b>AMPL</b> key to display the percentage of amplitude previously selected, then depress the  or  key as required</p>
<b>REAR PANEL</b>	
Footswitch jack	Connects to the footswitch cable.
Coax connector	Connects to the converter
Electrical line cord	Connects to the 220/240V electrical outlet
Temperature probe jack	Connects to the optional temperature probe

## PREPARATION FOR USE

### CAUTION

Do not operate an Ultrasonic Processor that has been in a very cold or hot environment for a prolonged period of time. Wait until it has reached room temperature

1. Plug the electrical line cord into the electrical outlet. If the unit is already on, switch the unit off by depressing the **O** key.
2. If the optional footswitch is used, insert the footswitch plug into the jack located on the rear panel. Make sure that the plug is inserted all the way in.
3. Screw the booster into the converter and secure forcefully with the spanner wrenches provide.

### CAUTION

Never place a washer between the converter, booster or probe. Never apply grease to the mating surfaces or threads of the converter, booster or probe.

4. Using the spanner wrenches provided, forcefully secure the booster to the probe.
5. Mount the convert/probe assembly in a stand. Secure the clamp to the converter housing only. Do not allow any object to touch the probe.
6. Connect the converter cable to the power supply.
7. Connect the air fitting on top of the converter to a source of dry, filtered compressed air at 10 psi.
8. **Air cooling is required for Floccells or continuous processing.**

### NOTE

Should it become necessary to remove a probe, use the wrenches supplied. If the probe has been attached to the converter for a long period of time it might be necessary to use a vise. Be sure the vise has soft jaws or other means to prevent scratching. Secure the wide diameter portion of the probe in the jaws of the vise. Never grip the converter in the vise. Using a wrench, twist the converter off the probe. A tap of a hammer may be applied to the end of the wrench. Never attempt to remove the probe by twisting the converter housing, as this may damage the electrical connections within the housing.

## USING THE ULTRASONIC PROCESSOR

Cruise control on an automobile, can, to a certain extent, be compared to an Ultrasonic Processor. Cruise control is designed to maintain a constant speed. As the terrain changes, so do the power requirements. The speed control senses these requirements, and automatically adjusts the amount of power delivered by the engine in order to compensate for these ever changing conditions. The greater the terrain rate of incline and greater the resistance to the movement of the vehicle, the greater the amount of power that will be delivered by the engine to overcome that resistance.

The Ultrasonic Processor is designed to deliver constant amplitude. As the resistance to the movement of the probe increases, additional power will be delivered by the power supply to ensure that the excursion at the probe tip remains constant. Using a more powerful power supply will not deliver more power into the liquid. Rather, it is the resistance to the movement of the probe that determines how much power will be delivered into the sample.

The AMPLITUDE control allows the ultrasonic vibrations at the probe tip to be set to any desired level. Although the degree of cavitation required to process the sample can readily be determined by visual observation, the amount of power required cannot be predetermined. A sensing network continuously monitors the output requirements, and automatically adjusts the power to maintain the amplitude at the preselected level. The greater the resistance to the movement of the probe due to higher viscosity, deeper immersion of the probe into the sample, larger probe diameter or higher pressure, the greater the amount of power that will be delivered to the probe. Setting the amplitude to 100% will deliver maximum amplitude and cavitation and but may not require the full wattage or power that the unit is capable of delivering. For example, with the 2000 watt Ultrasonic Processor, the maximum power that the power supply is capable of delivering will only be delivered when the resistance to the movement of the probe is high enough to draw 2000 watts.

### CAUTION

Do not operate the power supply unless it is connected to the converter.

Press the **|** key. The screen will display the power rating and the frequency of the Ultrasonic Processor, and the following control parameters.

TIME __:__:__	TEMP __°C
PULSE ____	AMPL __%

**AMPLITUDE:** The amplitude is the only parameter that must be set in order for the Ultrasonic Processor to be operational. The other control parameters – Time and Pulse, do not have to be set for continuous operation. AMPL. Displays the percentage of amplitude that was previously selected. Press the **AMPL** key and the **▲** or **▼** key for a reading of 40%, then depress the **ENTER/REVIEW** key.

The screen will display:

TIME __:__:__	TEMP __°C
PULSE ____	AMPL 40%

The ultrasonic Processor is now ready for continuous operation. To energize the equipment, press the **START** key or the footswitch. To de-energize the equipment, press the **STOP** key or release the footswitch. If the Time or Pulse\* functions must be used, refer to the appropriate paragraphs(s) below.

To increase or decrease the amplitude in small increments when the equipment is on, depress the **AMPL** key to display the percentage of amplitude that was previously selected, then depress the **▲** or **▼** key, as required.

### NOTE

Any combination of functions can be selected in any order. To clear an erroneous entry press the **CLEAR** key.

### NOTE

If the **START** key is pressed and the time limit has not been set, processing will remain uninterrupted until the **STOP** key is depressed.

If the **START** key is pressed and the time limit has been set, processing will remain uninterrupted until the set time limit expires, or the **STOP** key is pressed – whichever occurs first.

If a footswitch is used, and the time limit has not been set, processing will remain uninterrupted as long as the footswitch is depressed.

If a footswitch is used, and the time limit has been set, processing will remain uninterrupted until the time limit expires or the footswitch is released – whichever occurs first.

The **START** key and footswitch are mutually exclusive. If the process is initiated by the **START** key, the footswitch becomes inoperative. If the process is initiated by the footswitch, the **STOP** key becomes inoperative.

1. Using the fitting on top of the converter, circulate dry, filtered compressed air through the converter to cool the converter. **10 psi is recommended.**
2. Immerse the probe into the liquid. Always immerse the probe deep enough below the surface of the sample to inhibit aerosoling or foaming. Foaming substantially reduces cavitation. Processing at a lower power setting without foam is more effective than processing at a higher power setting with foam. Decreasing the power, increasing processing time and lowering the temperature of the sample will usually prevent aerosoling and foaming.
3. Depress the **START** key.
4. Using the ▲ or ▼ keys, increase or decrease the amplitude as required.

**TIMER:** In the pulsed mode the processing time will be different from the elapsed time because the processing time function monitors and controls only the ON portion of the duty cycle. For example, for 1 hour processing time, the elapsed time will be 2 hours if the ON and OFF cycle are set for 1 second. To set the processing time, press the **TIMER** key.

The screen will display:

Time Setting  
Hrs: \_\_ Min: \_\_ Sec: \_\_

Using the numeric keys, set the processing time as required:

Time Setting  
Hrs: 5 Min: 30 Sec: 25

Press the **ENTER/REVIEW** key.

The screen will display:

TIME 5:30:25      TEMP \_\_\_ °C  
PULSE \_\_\_ \_\_\_      AMPL 40 %

**PULSER:** By inhibiting heat build-up in the sample, the pulse function enables safe treatment of temperature sensitive samples at high intensity. In addition, pulsing enhances processing by allowing the material to settle back under the probe after each burst. The ON and OFF pulse duration can be set independently from 1 second to 59 seconds. During the OFF portion of the cycle, the red indicator on the **PULSER** key will illuminate. If the OFF portion of the cycle exceeds two seconds, a cautionary message – CAUTION – PROBE ON STANDBY – will warn the operator against touching the ultrasonic probe. To set the pulser, press the **PULSER** key.

The screen will display:

Pulse on \_\_\_ sec  
Pulse off \_\_\_ sec

Using the numeric keys set the ON portion of the cycle, then press the **ENTER/REVIEW** key.

The screen will display:

Pulse on 2.5 sec  
Pulse off \_\_\_ sec

Using the numeric keys set the OFF portion of the cycle, then press the **ENTER/REVIEW** key.

The screen will display:

TIME 5:30:25	TEMP ___ °C
PULSE 2.5 : 1.0	AMPL 40 %

**TEMPERATURE:** The temperature function prevents overheating of the sample by continuously monitoring the sample temperature, and terminating the ultrasonics when the temperature reaches a predetermined setpoint. The ultrasonics is automatically reinstated when the temperature drops below the setpoint. If the temperature of the sample must be monitored and/or controlled, insert the optional temperature probe forcefully into the small jack on the rear panel, immerse the temperature probe in the sample and press the **TEMP** key.

The screen will display:

Probe Temperature 27°C
Temperature Setpoint __ °C

Using the numeric keys set the high temperature limit (setpoint).

The screen will display:

Probe Temperature 27°C
Temperature Setpoint 35°C

Press the **ENTER/REVIEW** key.

The screen will display:

TIME 5:30:25	TEMP 35°C
PULSE 2.5 : 1.0	AMPL 40 %



**REVIEW:** The REVIEW function provides a “window” on the process by displaying various operating parameters without process interruption. Pressing the **ENTER/REVIEW** key repeatedly during processing will consecutively display the following information.

a) Selected amplitude:

e.g. Amplitude 40%

b) Set processing time and elapsed processing time:

e.g. Set 5:30:25 Time 0:57:03

c) Selected pulsing cycle, and actual pulsing cycle:

e.g. Pulse 2.5 1.0/1.5 .5

d) Amount of power in watts, and accumulated amount of energy in JOULES delivered to the probe:

e.g. 20 watts 0000000 Joules\*

e) Elapsed time since processing was initiated:

e.g. Elapsed time 1:27:33

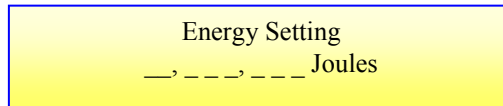
**NOTE**

The amount of energy displayed will be only for one run. Initiating a new run will reset the display to zero.

*\*The number of Joules displayed is dependent on the watts being drawn and the processing time.*

**ENERGY SETPOINT:** The energy setpoint continuously monitors the amount of energy in Joules (watts-seconds), that is being delivered to the probe, and terminates the ultrasonics when the energy level reaches a predetermined setpoint. To set the energy setpoint, press the **ENERGY** key.

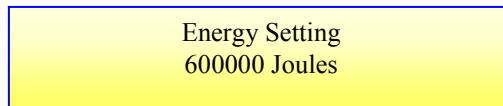
The screen will display:



Energy Setting  
—, —, — Joules

Using the numeric keys, set the energy setpoint.

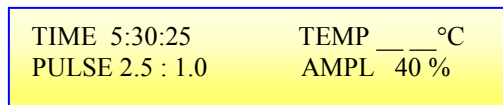
The screen will display:



Energy Setting  
600000 Joules

Press the **ENTER/REVIEW** key.

The screen will display:



TIME 5:30:25      TEMP — °C  
PULSE 2.5 : 1.0    AMPL 40 %

## SAVE/RECALL

**SAVE:** The save function retains in memory up to 9 (1-9) control parameters under a storage identification (ID) number. To store the parameters under an ID number, press the **SAVE/RECALL** key.

The screen will display:

```
*RECALL JOB
SAVE JOB
```

Press the key one more time.

The screen will display:

```
RECALL JOB
*SAVE JOB
```

Press the **ENTER/REVIEW** key.

The screen will display:

```
S# T__:_:___ T___°C
P ___ E ,___, ___ A ___%
```

Using the 1-9 numeric keys, enter the ID number.

The screen will display:

```
S6 T__:_:___ T___°C
P ___ E ,___, ___ A ___%
```

Press the **ENTER/REVIEW** key.

The screen will display:

```
S6 TIME 5:30:25 TEMP ___°C
PULSE 2.5 : 1.0 AMPL 40%
```

**RECALL:** The recall function can retrieve from memory any of 9 stored control parameters for verification or usage. To retrieve any parameters press the **SAVE/RECALL** key.

The screen will display:

```
*RECALL JOB
SAVE JOB
```

Press the **ENTER/REVIEW** key.

The screen will display:

```
R# T__:_:___ T___°C
P ___E_,___,___A___%
```

Use the 1-9 numeric keys, enter the ID number.

The screen will display:

```
R4 T__:_:___ T___°C
P ___E_,___,___A___%
```

Press the **ENTER/REVIEW** key.

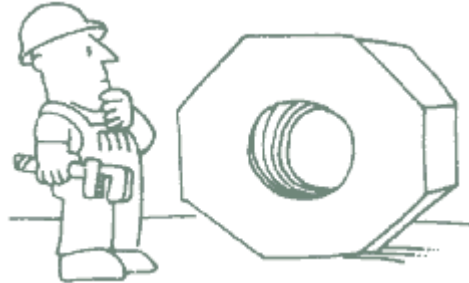
The screen will display:

```
R4 TIME 5:30:25 TEMP ___°C
PULSE 2.5 : 1.0 AMPL 40%
```

*Note: To review all the information that has been stored, press all the numeric keys consecutively.*

## SECTION III – SERVICE INFORMATION

---



Your Ultrasonic Processor was designed to provide you with years of safe and dependable service. Nevertheless, because of component failure or improper usage, the possibility does exist that it might not perform as it should, shut down or stop working all together. The most probable causes for malfunction are listed below and should be investigated.

- The system has overheated.
- The probe or booster is not secured properly.
- The unit was plugged into an electrical outlet that provides a different voltage from the one required. See *Electrical Requirements*.
- A fuse(s) has failed.

**Contact Qsonica for assistance.**

## **RETURN OF EQUIPMENT**

It is suggested that if a unit is in need of repair be sent back to the factory.

In order to receive prompt service; always contact the factory before returning any equipment. Include date of purchase, model number and serial number. For equipment not covered by the warranty, a purchase order should be forwarded to avoid unnecessary delay. Care should be exercised to provide adequate packing to insure against possible damage in shipment. The Equipment should be sent to the “Service Department” with all transportation charges prepaid and return of shipment indicated.

Please obtain a *Return Authorization Number (RA#)* prior to returning the instrument.

## **SAFETY CERTIFICATION FORM\***

Federal law prohibits the transfer of equipment or products contaminated with radiological, biological or chemical waste residue. QSONICA requires that each customer certify one of the statements on page 21 Prior to returning any equipment, please make a copy of the form on page **21**, fill in the form and send it back with the equipment being returned.

*\*This form must accompany any equipment that is being returned for repair.*

# QSONICA SAFETY CERTIFICATION FORM

Items being returned:

---

---

---

Please check only one item below:

The equipment was never used or exposed to any radiological, biological or chemical agents and is safe to handle, use or dispose of.

The equipment was used but not in conjunction with or exposed to any radiological, geological or chemical agents and is safe to handle, use or dispose of.

The equipment was used in conjunction with or exposed to radiological, biological or chemical agents and has been decontaminated, rendering it safer for handling, use or disposal.

## Authorization

By accepting authorization to return the equipment listed above, the undersigned assumes all responsibility and liability for radiological, biological and chemical decontamination. QSONICA reserves the right to refuse delivery of the equipment without necessary documentation or where we determine they have not been properly decontaminated. QSONICA reserves the right to bill the customer for any and all costs associated with the decontamination and/or disposal of the equipment we determine was not properly decontaminated. In the event the equipment has been exposed to radiological contamination, the signature of the Radioactive Safety Officer is required.

Print name: \_\_\_\_\_ RA# \_\_\_\_\_

Signature: \_\_\_\_\_ Date: \_\_\_\_\_